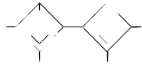


# Olympian Plus plug-in system

FFB64, FFB68 Breathing air sets

G $\frac{1}{4}$  to G $\frac{3}{4}$



Pre-assembled combinations include a general purpose pre-filter and 'Ultraire®' oil/oil vapour removal filter

High quality breathing air for the supply of up to 5 masks.

Activated carbon pack assists in the removal of hydro-carbon gases and odours

## Technical data

Medium:

Compressed air only

Operating pressure:

0 to 17 bar

Air quality output:

Air quality to ISO 8573-1 : Class 1.7.1.

Note: These units will not remove carbon monoxide, carbon dioxide or other toxic gases or fumes.

Remaining oil content:

Maximum remaining oil content @ 21°C is 0,003 mg/m<sup>3</sup>

Particle removal:

Removes particles to 0,01µm.

Ambient temperature:

-20°C to +65°C metal bowls

Consult our Technical Service for use below +2°C

## Materials

G $\frac{1}{4}$ , G $\frac{3}{8}$  models:

Bowls: aluminium & zinc

Body & yoke: zinc alloy

Pre-filter element: sintered bronze or plastic

Main filter element & activated carbon pack: composite materials

G $\frac{1}{2}$ , G $\frac{3}{4}$  models:

Bowls & body: aluminium

Yoke: aluminium

Elastomers: synthetic rubber

Pre-filter element: sintered plastic

Main filter element & activated carbon pack: composite materials






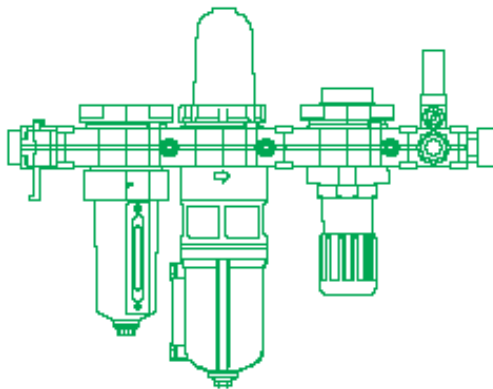
Port size	No. of masks	Primary pre-filter (µm)	Bowls	Flow (dm <sup>3</sup> /s)	kg	Model Auto	Manual	Model with pressure regulator Auto	Manual
G $\frac{1}{4}$	1	5	Metal	16	3,20	FFB64-208	FFB64-228*	FFR64-208*	FFR64-228*
G $\frac{3}{8}$	2	5	Metal	28	3,57	FFB64-308	FFB64-328*	FFR64-308*	FFR64-328*
G $\frac{1}{2}$	3	25	Metal	35	7,45	FFB68-408	FFB68-428	FFR68-408	FFR68-428
G $\frac{3}{4}$	4/5	25	Metal	60	7,65	FFB68-608	FFB68-628	FFR68-608	FFR68-628

\*Upper element will change from white to blue to indicate any oil carry-over.

For service kit numbers refer to individual units.

## Accessories

Series	Port size	Bracket kit	Bracket kit	3/2 Shut-off valve
				
FFB64	1/4		74504-50	T64T-2GB-P1N
	3/8		74504-50	T64T-3GB-P1N
FFB68	1/2	18-001-979		T68C-4GB-B2N
	3/4	18-001-979		T68C-6GB-B2N



The addition of a pressure switch and end connector allows a low pressure warning signal to be given to an external electrical circuit.

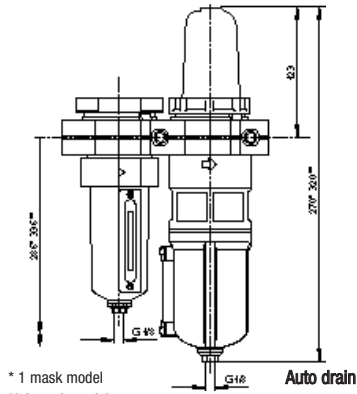
FFR model shown – see page 427 (64 Series only) for pressure switches and end connectors.

# Olympian Plus plug-in system

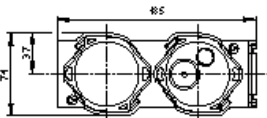
FFB64, FFB68 Breathing air sets

G $\frac{1}{4}$  to G $\frac{3}{4}$

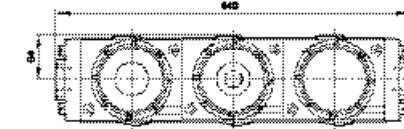
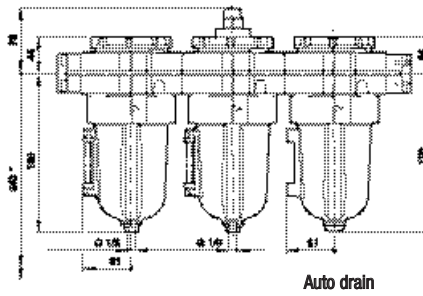
1 & 2 Mask models



\* 1 mask model  
\*\* 2 mask model

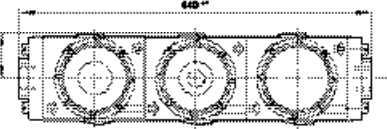
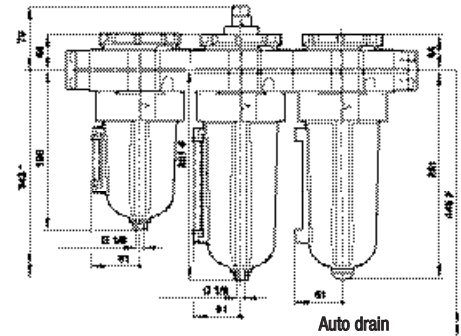


3 Mask models



\* Minimum clearance to remove bowl.  
Weight: 6,56 kg

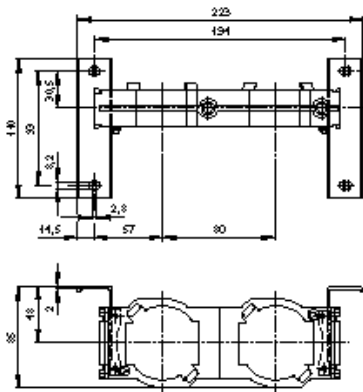
4 & 5 Mask models



\* Minimum clearance to remove bowl.  
Weight: 7,19 kg

Bracket mounting

1 & 2 Mask models



3, 4 & 5 Mask models

